

Technical Data Sheet

BATH ACCESSORIES (SERIES)

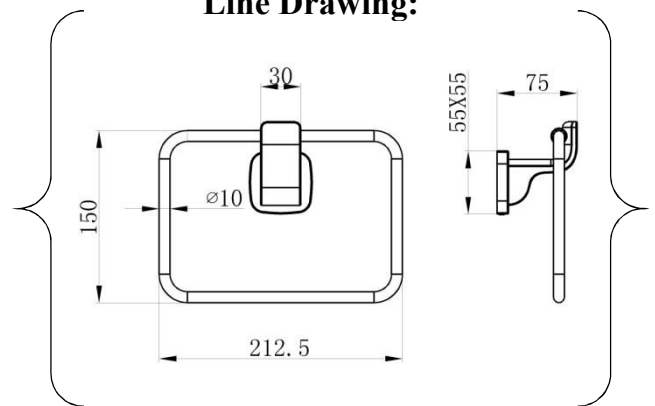
Code: BA-008

Product: TOWEL RING



BA-008
Chrome

Line Drawing:



Product Description:

- * Brass ingots quality standard GB/T2059-2008
Zinc quality standard GB/T8738-2006.
- * CASS 4H/AASS 48 by standard procedure
ASTM B117/ASTM B 368/09 JIS Z 2371/ISO.

Plating:

- * Total plating thickness for Brass and Zinc:
12.3 microns to 12.5 microns.
- * Semi bright and bright nickel: 12 microns.
- * Chrome: 0.3 to 0.5 microns.

This TDS supersedes those Issued previously.

Contents in this data sheet subject to change when required.

Please contact our nearest marketing executive/dealer for more details.