

Technical Data Sheet

BATH ACCESSORIES (SERIES)

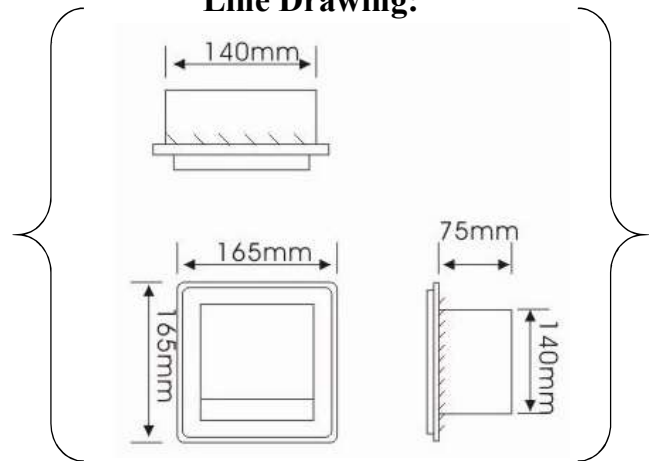
Code: BA-011

Product: IN-Wall
Paper Holder



BA-011
Mirror Polished

Line Drawing:



Product Description:

* Stainless steel quality standard GB/T4237-2007.

- # This TDS supersedes those Issued previously.
- # Contents in this data sheet subject to change when required.
- # Please contact our nearest marketing executive/dealer for more details.