

## Technical Data Sheet

### ROSEBUD SERIES



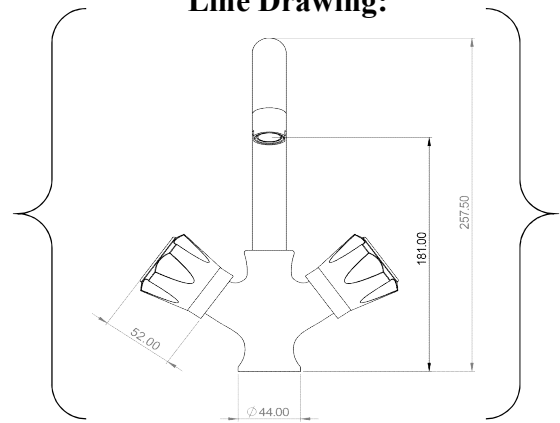
Part No: DWG-MBM-402

Chrome

Code: RSB-1011

Product: Moving Basin Mixer

### Line Drawing:



### Product Description:

- \* Brass ingots quality standard EN 1980.
- \* CASS 4H/AASS 48 by standard procedure ASTM B117/ASTM B 368/09 JIS Z 2371/ISO.
- \* Premium quality brass cartridge slow open.
- \* Flow Rate: 20.9L/min at 3 bar. (Water saving designs available based on request).
- \* Inlet Thread Size M10x1.
- \* KIWA/DVGW/CSTB/WRAS Standards for flexible hose.

### Plating:

- \* Total plating thickness for Brass Faucet : 12.3 microns to 12.5 microns.
- \* Semi bright and bright nickel: 12 microns.
- \* Chrome: 0.3 to 0.5 microns.

# This TDS supersedes those Issued previously.  
# Contents in this data sheet subject to change when required.  
# Please contact our nearest marketing executive/dealer for more details.