

Technical Data Sheet

ROSEBUD SERIES

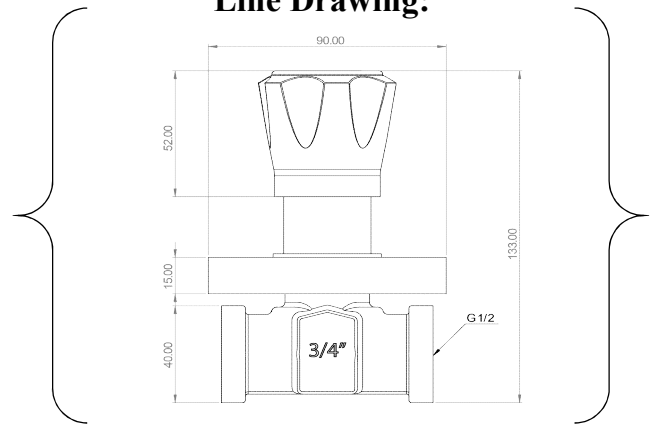


Part No: DWG-CSC-903
Chrome

Code: RSB-1017

Product: In-Wall Stop Valve - 3/4" (Premium)

Line Drawing:



Product Description:

- * Brass ingots quality standard EN 1980.
- * CASS 4H/AASS 48 by standard procedure ASTM B117/ASTM B 368/09 JIS Z 2371/ISO.
- * Premium quality brass cartridge slow open.
- * Flow Rate: 21.1L/min at 3 bar. (Water saving designs available based on request).
- * Inlet Thread Size G3/4".

Components Plating:

- * Total plating thickness for Brass Faucet :
- * Semi bright and bright nickel: 12 microns.
- * Chrome: 0.3 to 0.5 microns.

This TDS supersedes those Issued previously.
Contents in this data sheet subject to change when required.
Please contact our nearest marketing executive/dealer for more details.