

Technical Data Sheet

DRIZELLA SERIES

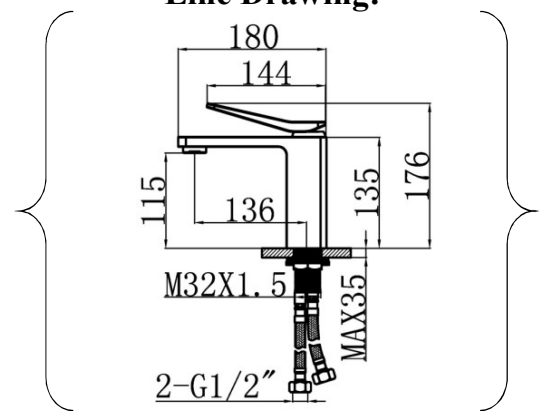


DRI-2601
Chrome

Code: DRI-2601

**Product: Single Lever
Short Basin Mixer**

Line Drawing:



Product Description:

- * Brass ingots quality standard GB/T2059-2008
- * Zinc handle quality standard GB/T8738-2006
- * Stainless steel hose quality standard GB/T4237-2007.
- * CASS 4H/AASS 48 by standard procedure
- * ASTM B117/ASTM B 368/09 JIS Z 2371/ISO.
- * SEDAL cartridge +Ceramic-G1/2.
- * Neoperl (USA) Aerator M24x1.
- * Flow Rate: 11.65L/min at 3 bar. (Water saving designs available based on request).
- * Inlet Thread Size G1/2x2.

Plating:

- * Total plating thickness for Brass and Zinc:
12.3 microns to 12.5 microns.
- * Semi bright and bright nickel: 12 microns.
- * Chrome: 0.3 to 0.5 microns.

This TDS supersedes those Issued previously.

Contents in this data sheet subject to change when required.

Please contact our nearest marketing executive/dealer for more details.