

## Technical Data Sheet

### DRIZELLA SERIES

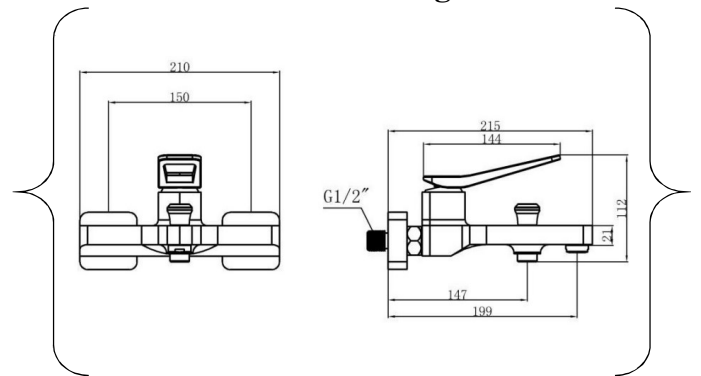
Code: DRI-2604

Product: Single Lever Bath  
Tub Mixer



**DRI-2604**  
Chrome

### Line Drawing:



### Product Description:

- \* Brass ingots quality standard GB/T2059-2008  
Zinc handle quality standard GB/T8738-2006.
- \* CASS 4H/AASS 48 by standard procedure  
ASTM B117/ASTM B 368/09 JIS Z 2371/ISO.
- \* SEDAL cartridge +Ceramic-G1/2.
- \* Neoperl (USA) Aerator M24x1.
- \* Flow Rate: 11.5L/min at 3 bar. (Water saving designs available based on request).
- \* Inlet Thread Size G1/2x2.

### Plating:

- \* Total plating thickness for Brass and Zinc:  
12.3 microns to 12.5 microns.
- \* Semi bright and bright nickel: 12 microns.
- \* Chrome: 0.3 to 0.5 microns.

# This TDS supersedes those Issued previously.

# Contents in this data sheet subject to change when required.

# Please contact our nearest marketing executive/dealer for more details.