

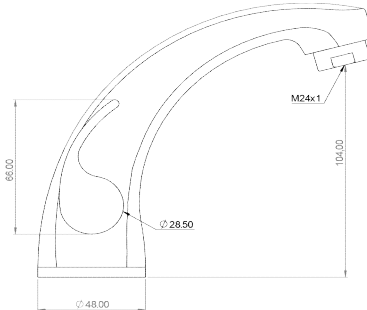
Technical Data Sheet

FOLKSY SERIES

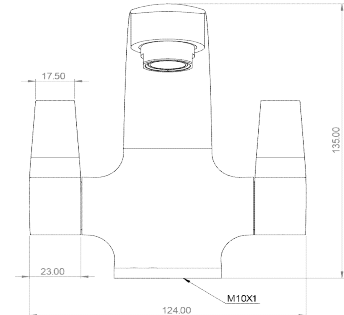


Part No: DWG-FBM-401

Black & Gold



Line Drawing:



Product Description:

- * Brass ingots quality standard EN 1980.
- * CASS 4H/AASS 48 by standard procedure
ASTM B117/ASTM B 368/09 JIS Z 2371/ISO.
- * Premium quality brass and ceramic cartridge fast open.
- * Neoperl (USA) Aerator M24x1.
- * Flow Rate: 34.8-37.8L/min at 3 bar. (Water saving designs available based on request).
- * KIWA/DVGW/CSTB/WRAS Standards for flexible hose.
- * Inlet Thread Size M10x1.

Black and Gold:

- * PVD Gold/Black Coating Thickness Upto 5 Microns.

This TDS supersedes those Issued previously.

Contents in this data sheet subject to change when required.

Please contact our nearest marketing executive/dealer for more details.