

Technical Data Sheet

PERSUANA SERIES



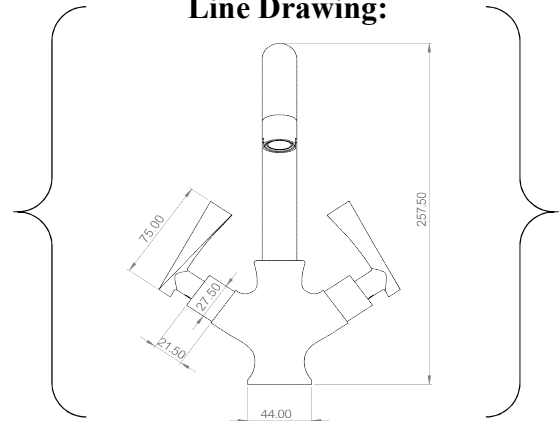
Part No: DWG-MBM-402

Chrome

Code: PER-2008

Product: MOVING BASIN MIXER

Line Drawing:



Product Description:

- * Brass ingots quality standard EN 1980.
- * CASS 4H/AASS 48 by standard procedure ASTM B117/ASTM B 368/09 JIS Z 2371/ISO.
- * Premium quality brass and ceramic cartridge fast open.
- * Flow Rate: 30.3L/min at 3 bar. (Water saving designs available based on request).
- * Inlet Thread Size M10x1.
- * KIWA/DVGW/CSTB/WRAS Standards for flexible hose.

Plating:

- * Total plating thickness for Brass Faucet : 12.3 microns to 12.5 microns.
- * Semi bright and bright nickel: 12 microns.
- * Chrome: 0.3 to 0.5 microns.

This TDS supersedes those Issued previously.

Contents in this data sheet subject to change when required.

Please contact our nearest marketing executive/dealer for more details.